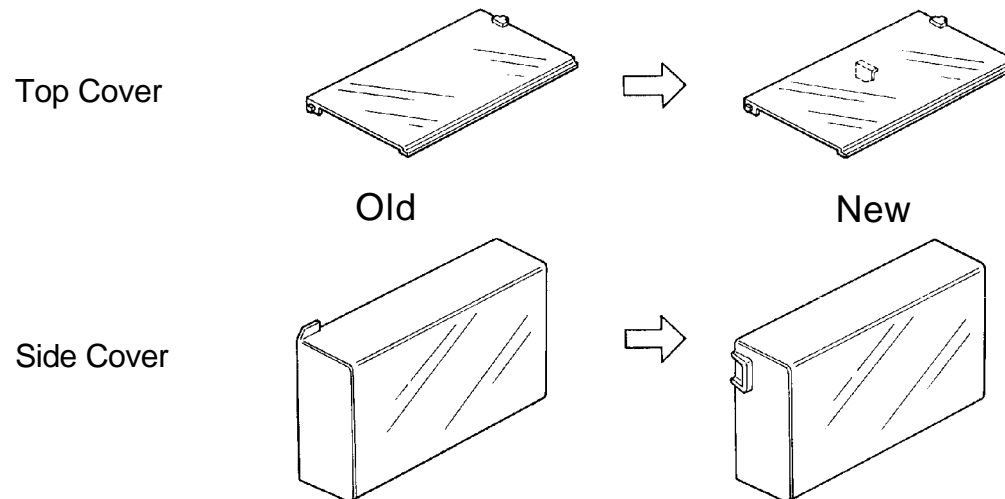


Model	1000 LCT for F3/4	Volt/Hz	Date of Modification	Serial Number
Modified Article	Top Cover/ Side Cover			
Reason for Modification	For part standardization			

Due to part standardization with the other model, the top cover and the side cover have been changed as shown in the figure.

Old P/N	New P/N	Description	Q'ty Used	Interchangeability	Index No.	Page
58971251	A3402623	Top Cover	1 → 1	O/O	1	8 - 5
59252234	A3402633	Side Cover	1 → 1	O/O	4	8 - 5



T. Ito, Manager
Copier Technical Support

MODEL NAME	V/Hz	DESTINATION	CODE	SERIAL NUMBER
P.B. M345	115/60	USA, CANADA	5897-11	
P.B. M345	115/60	CANADA	5897-12	
SAVIN CS35	115/60	CANADA	5897-14	
SAVIN CS35	115/60	USA	5897-15	
NASHUA T-45	115/60	S. AMERICA etc	5897-16	
RICOH RT11	115/60	USA, CANADA	5897-17	
RICOH RT11	115/60		5897-19	
NASHUA T-45	220/50	EUROPE etc	5897-25	
INFOTEC MAGAZIN 9035Z/DZ	220, 240/50	EUROPE	5897-26	
RICOH RT11	220/50	EUROPE etc	5897-27	
RICOH RT11	220/60		5897-28	
NASHUA T-45	240/50		5897-35	
RICOH RT11	240/50		5897-37	
RICOH RT11	240/60		5897-38	
RICOH RT11	115/60		5897-59	